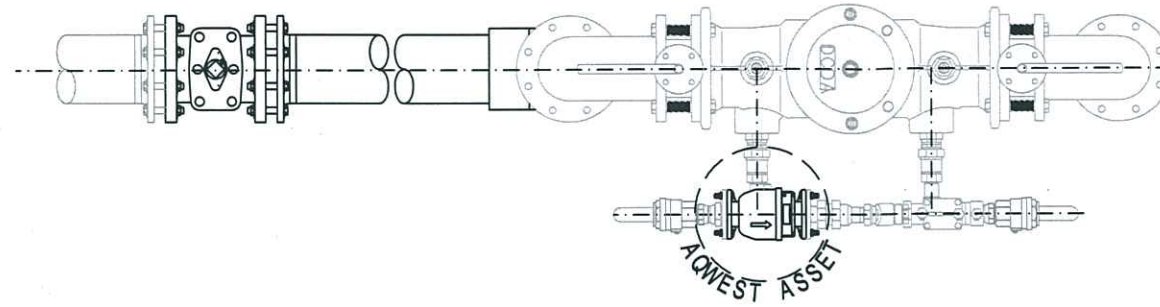


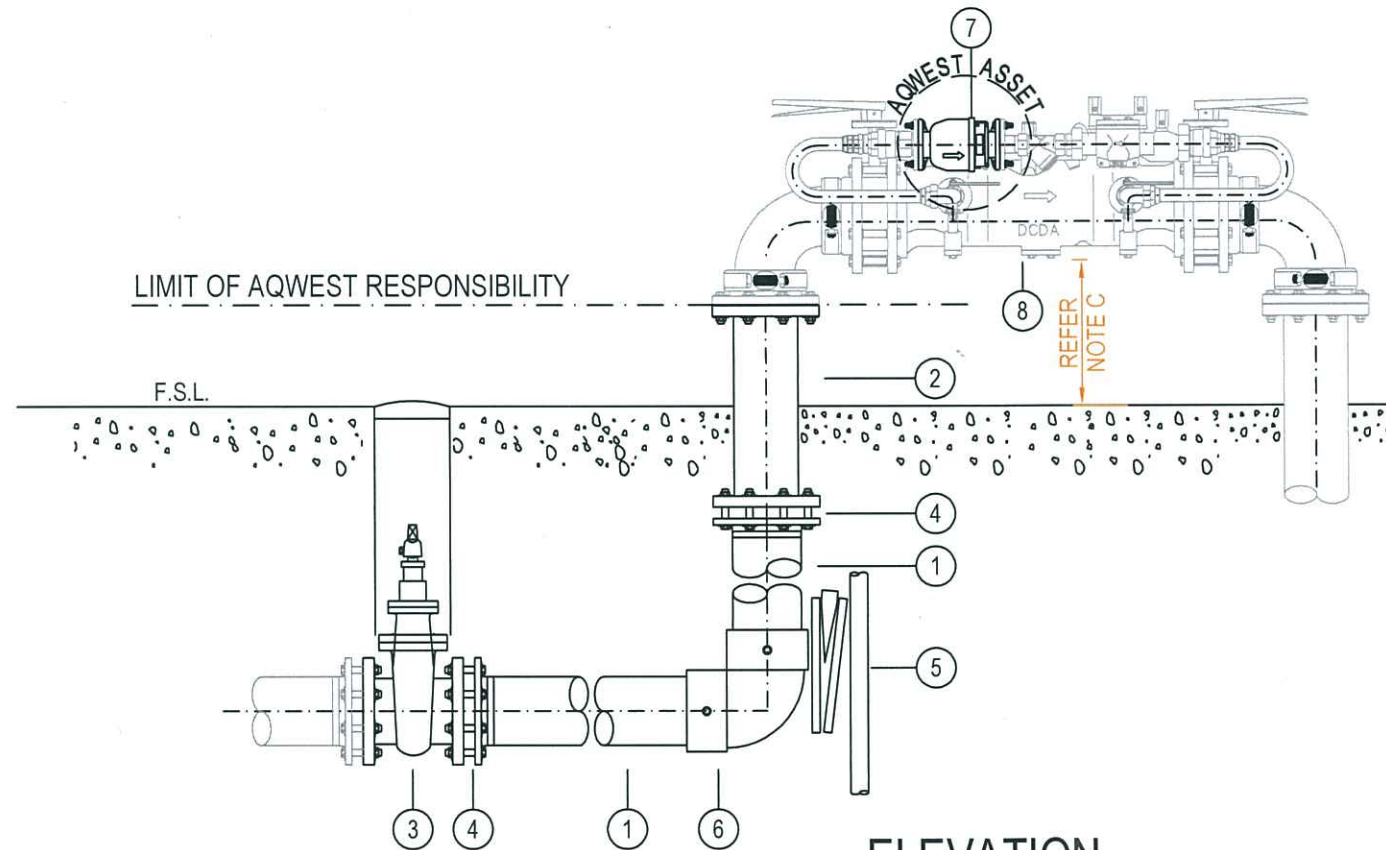
CONSTRUCTION NOTES:

- A. ALL FITTINGS PAST THE "LIMIT OF RESPONSIBILITY", ARE TO BE INSTALLED BY A LICENSED PLUMBER TO AS3500.
- B. PIPEWORK SHOWN IN EXAMPLES ARE INDICATIVE ONLY, ACTUAL FITTINGS AND FINAL ONSITE INSTALLATION WILL BE DETERMINED ON SITE.
- C. FINAL DIMENSION TO BE DETERMINED ON SITE WITH PLUMBER TO ENSURE THAT CLEARANCE UNDER BACKFLOW MEETS AS3500.
- D. NO POLYETHYLENE PIPE TO BE EXPOSED ABOVE GROUND.
- E. AQWEST RESERVE THE RIGHT TO ADJUST ANY STANDARD DESIGN WHEN INSTALLATIONS REQUIRE ALTERATIONS DUE TO SITE REQUIREMENTS.
- F. ALL BACKFLOW DEVICES WILL BE ANNUALLY TESTED AND REPORTS SUBMITTED TO AQWEST.
- G. 100mm FIRE SERVICES WILL BE SUPPLIED WITH A 40mm DOMESTIC METER BY AQWEST.
- H. 150mm FIRE SERVICES WILL BE SUPPLIED WITH A 50mm DOMESTIC METER BY AQWEST.

MATERIALS		
1	MDPE PIPE	-
2	500mm FLANGED CAST IRON RISER	1
3	FLANGED RESILIENT SLUICE VALVE	1
4	MDPE STUB FLANGE WITH BACKING RING	2
5	BOARDS, STAR PICKETS AND WEDGES	1
6	90° ELECTROFUSION MDPE EBLOW	1
7	DOMESTIC WATER METER	-
8	BACKFLOW DEVICE	1
-	BOLT 16mm x 75mm	8
-	BOLT 16mm x 110mm	16
-	FLANGE GASKET	2

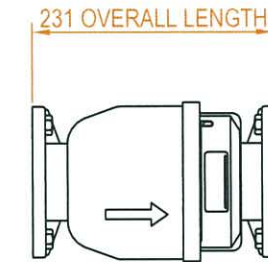


PLAN VIEW

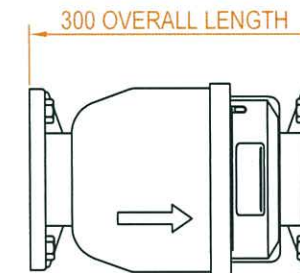


ELEVATION

FIRE SERVICE - 100MM & 150MM BYPASS OPTION



40mm DOMESTIC WATER METER



50mm DOMESTIC WATER METER



REV	DATE	BY	PM	APP	DESCRIPTION
D	14/01/2016	KJT	TW	GH	ISSUED FOR APPROVAL

FILE NAME: STANDARD DRAWINGS.DWG	
REVISION: D	DATE: 14/01/2016
SCALE: NTS	PAGE SIZE: A3

AQWEST STANDARD DRAWINGS
FIRE SERVICE BYPASS OPTION - AQS-04

PROJECT MNGR: TW	APPROVED BY: GH	DRAFTED BY: KJT	SHEET NUMBER: 4/5
---------------------	--------------------	--------------------	-----------------------------