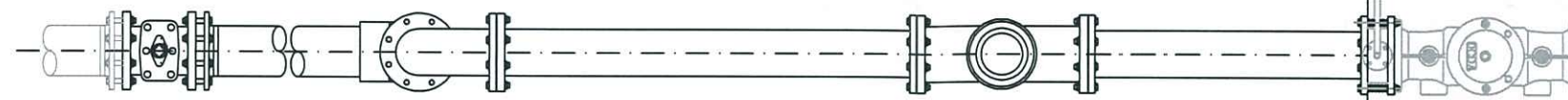
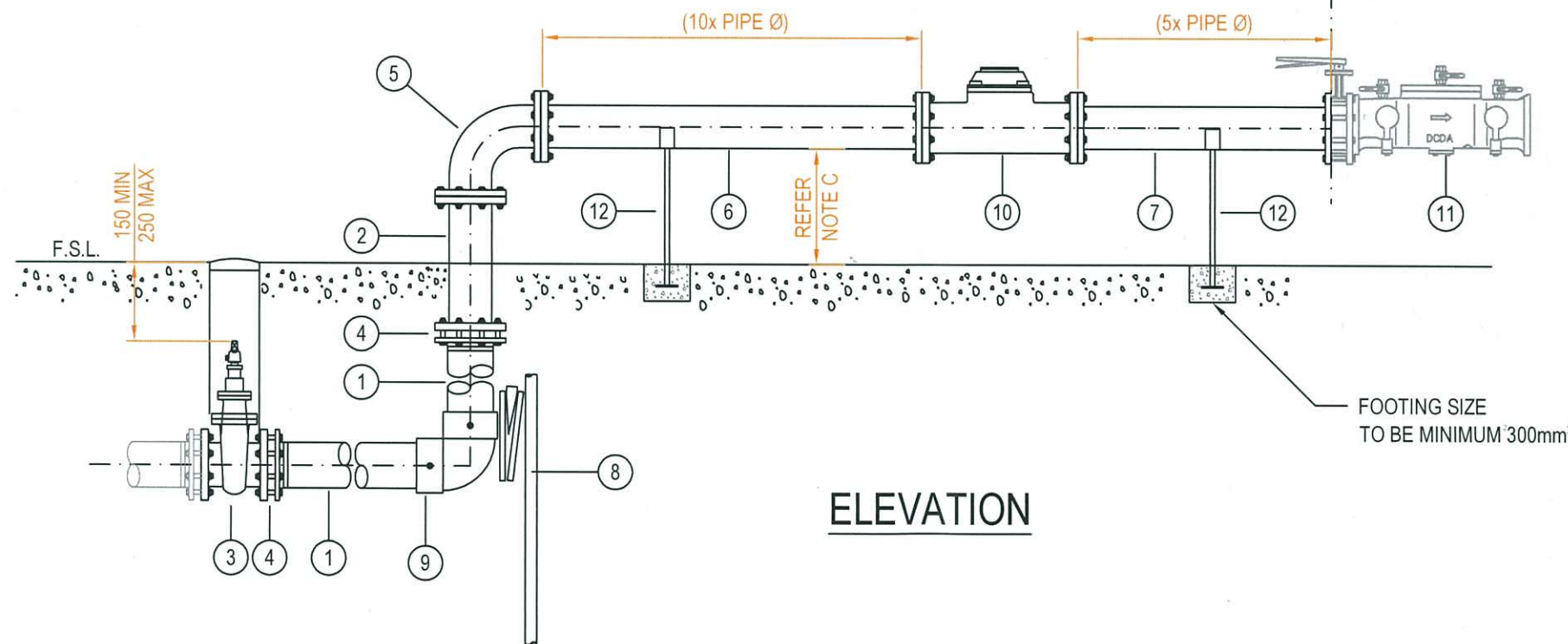


CONSTRUCTION NOTES:

- A. ALL FITTINGS PAST THE "LIMIT OF RESPONSIBILITY", ARE TO BE INSTALLED BY A LICENSED PLUMBER TO AS3500.
- B. PIPEWORK SHOWN IN EXAMPLES ARE INDICATIVE ONLY, ACTUAL FITTINGS AND FINAL ONSITE INSTALLATION WILL BE DETERMINED ON SITE.
- C. FINAL DIMENSION TO BE DETERMINED ON SITE WITH PLUMBER TO ENSURE THAT CLEARANCE UNDER BACKFLOW MEETS AS3500.
- D. NO POLYETHYLENE PIPE TO BE EXPOSED ABOVE GROUND.
- E. AQWEST RESERVE THE RIGHT TO ADJUST ANY STANDARD DESIGN WHEN INSTALLATIONS REQUIRE ALTERATIONS DUE TO SITE REQUIREMENTS.
- F. ALL BACKFLOW DEVICES WILL BE ANNUALLY TESTED AND REPORTS SUBMITTED TO AQWEST.



PLAN VIEW

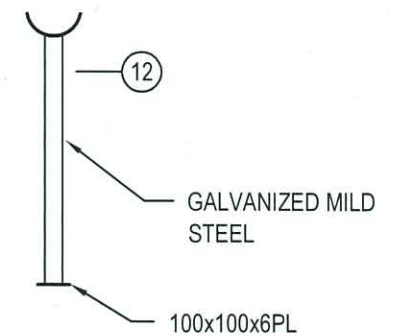


ELEVATION

FIRE SERVICE - 100MM & 150MM LONG OPTION

MATERIALS

1	MDPE PIPE	-
2	500mm FLANGED CAST IRON RISER	1
3	FLANGED RESILIENT SLUICE VALVE	1
4	MDPE STUB FLANGE WITH BACKING RING	2
5	90° FLANGED CAST IRON BEND	1
6	SPOOL PIECE (10x PIPE Ø)	1
7	SPOOL PIECE (5x PIPE Ø)	1
8	BOARDS, STAR PICKETS AND WEDGES	-
9	90° ELECTROFUSION MDPE EBLOW	1
10	WATER METER	1
11	BACKFLOW DEVICE - PLUMBER TO SUPPLY/INSTALL	1
12	PIPE SUPPORT	2
-	BOLT 16mm x 75mm	40
-	BOLT 16mm x 110mm	32
-	FLANGE GASKET	10
-	20KG BAG OF RAPID SET CONCRETE	4
-	VALVE BOX	1



PIPE SUPPORT



REV	DATE	BY	PM	APP	DESCRIPTION
D	14/01/2016	KJT	TW	GH	ISSUED FOR APPROVAL

FILE NAME: STANDARD DRAWINGS.DWG	
REVISION: D	DATE: 14/01/2016
SCALE: NTS	PAGE SIZE: A3

AQWEST STANDARD DRAWINGS			
FIRE SERVICE LONG OPTION - AQS-05			
PROJECT MNGR: TW	APPROVED BY: GH	DRAFTED BY: KJT	SHEET NUMBER: 5/5